

## Length transducer, 022737

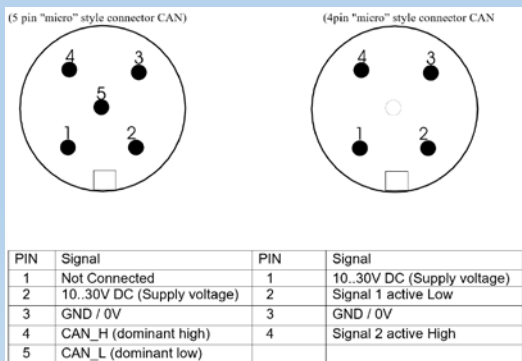
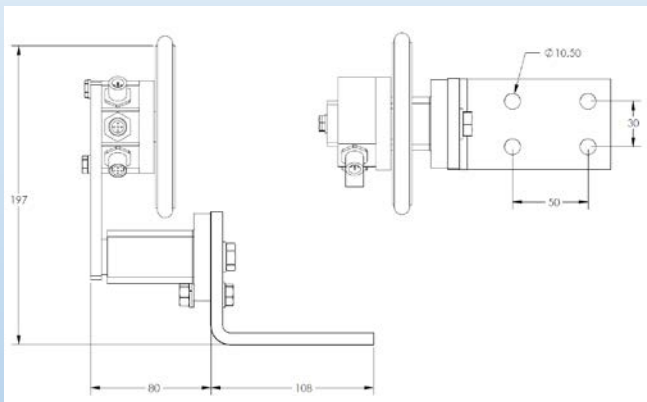


The length transducer measures length of movement through the rotation of its friction wheel, Laying against a rotating pulley wheel or a linear movement.

Often used to measure length on piling rigs.

Keeps the friction against the measured surface via a spring loaded mounting bracket.

The transducer has 2 connectors for the CAN-Open communication including power supply and one connector with 2 digital inputs.



### Technical data

**Supply voltage** 10 – 30 VDC  
**Power supply** <100mA

**Digital inputs** 2  
**Type** Signal 1: Active high/  
Signal 2: Active low

**Bus Connection** CANOpen (ISO11896)  
**Nod ID** Default 1

**Housing** Steel housing, zinc plated  
**Mounting** 2 \* M6 screws

**Connections**  
**CAN-bus** Standard M12 A-code plug,  
5 pin Male/Female  
**Digital Input** Standard M12 A-code plug,  
4 pin Male

**Operating temp.** -40 - +70°C  
**Protection** IP67